

MEI CASHFLOW® Bunch Note Feeder



There's now a faster way to deposit and secure cash in your intelligent safe or self-service system.

Users are no longer inconvenienced with hand-feeding notes one at a time. A Bunch Note Feeder (BNF)-equipped MEI CASHFLOW SC Series note validator feeds multiple notes.

Users can place a bundle of up to 30 notes on the BNF tray and the BNF-equipped unit reads, validates, counts, and stacks the notes quickly and securely. Users are free to handle other tasks instead of feeding individual notes.



Intelligent Safes

An intelligent safe with an MEI CASHFLOW BNF-equipped note validator is the most efficient and convenient way to secure cash at your retail outlet in the back office or at the point of sale. While the system is processing cash, your employees have more time to spend on selling products, providing customer service and providing presence on the retail floor.

Only one employee needs to handle cash. Cash is exposed for less time and out of temptation's way. Retailers also get a comprehensive audit trail.

By increasing productivity and decreasing shrinkage, an intelligent safe with a CASHFLOW BNF saves precious profit every day.

Many retailers see ROI in months.



Kiosks/Self-Service Systems

Integrating BNF into your kiosk or self service system allows your customers to place a stack of notes on a tray instead of feeding notes one by one.

This improves the transaction speed and ease of use, improving the overall user experience.

See the MEI CASHFLOW BNF in action at www.cashflowbnf.com

mei | **cashflow**[®]
bnf

©2009 MEI. All rights reserved.

SCL/BNF

Performance highlights:

- Note Tray Capacity: 30 notes (depending on quality and paper thickness)
- Less than 3-second note to note cycle
- Industry leader in jam performance
- Easy access to note path without tools or opening safe door
- Integrated rejected note tray
- Dimensions of accepted banknotes:
Width 62-85mm, Length 120 to 177mm
- Visual and audio status indicators
- Friction-based technology reliably feeds notes into the system
- Easy retrofit to MEI CASHFLOW SCL note acceptor.

Mechanical integration:

- BNF Module adds less than 2 inches/5 cms of depth to the MEI CASHFLOW SCL acceptor (without universal note tray)
- Universal note tray can be mounted on the door or on the BNF

Software integration:

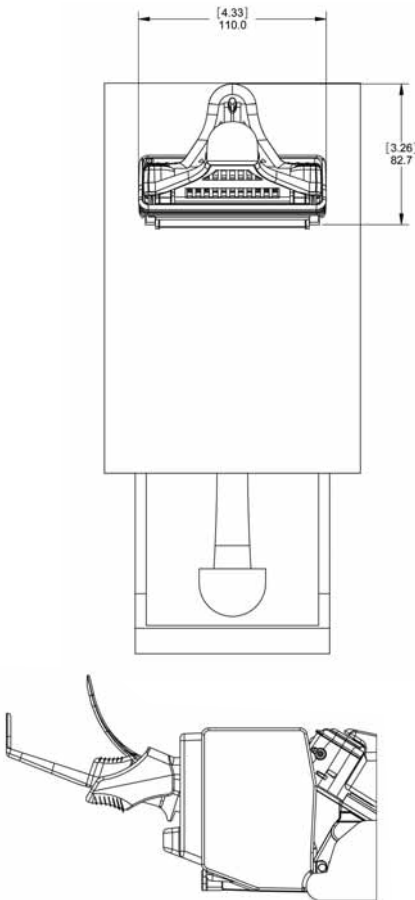
- Operates transparently with existing host software

Power source and consumption:

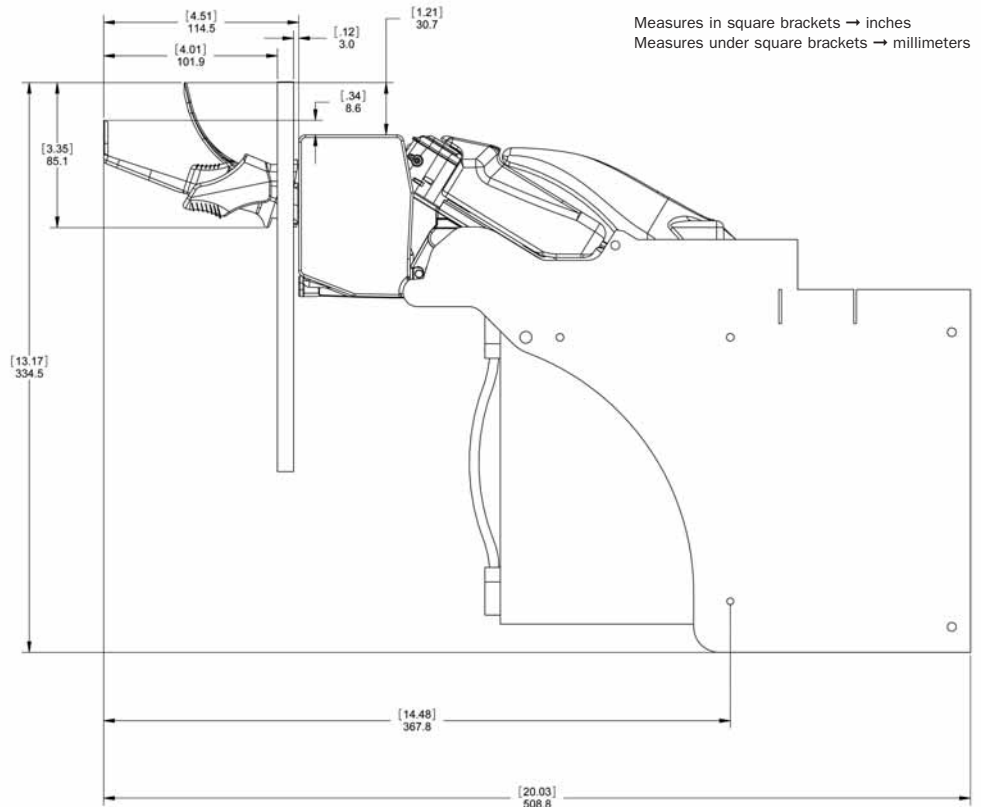
- 15-28 VDC
- Does not exceed the existing 70-watt maximum power consumption rating for the SCL Series

Environment:

- Operating Temperature: 10°C to 40°C
- Storage Temperature: -30°C to 70°C
- Humidity: 30% to 85% (non-condensing)



SCL/BNF with universal note tray shown installed on BNF bracket



Measures in square brackets → inches
Measures under square brackets → millimeters

SCL/BNF with universal note tray shown installed on door

MEI Inc., Manufacturing & Sales:

UNITED KINGDOM/EUROPE

Unit 51/52 Suttons Business Park
Suttons Park Avenue – Earley Reading
Berkshire RG6 1AZ
Telephone: +44 (0) 118 938 1100
Facsimile: +44 (0) 118 938 1120

AUSTRALIA

Level 9, Avaya House
123 Epping Road
North Ryde, NSW 2113, Australia
Telephone: +61 2 8875 7753
Facsimile: +61 2 8875 7957

MACAU

Telephone: +853 6692 6556

CANADA

Telephone: 1 905 492 0851
Facsimile: 1 905 492 0853

CHINA

MEI, Room 1-18, Guangming Mansion,
Liangmaqiao Road, Chaoyang District,
Beijing 100016 PRC
Telephone: +86 1084410663
Fax: +86 1084410673

JAPAN - NIPPON/CONLUX

KY Kojimachi Bldg.
5-4, Kojimachi, Chiyoda-ku
Toyko, 102-0083 Japan
Telephone: +81-3-3221-8466
Facsimile: +81-3-3221-8465

MEXICO

S. de R.L. de C.V.
Av. Santa Rosa de Viterbo #10
Parque Industrial Finsa-Queretaro
El Marques, Queretaro CP 76246
Telephone: +52 (442) 238 2000
Facsimile: +52 (442) 238 2001

SWITZERLAND

Chemin du Pont-Du-Centenaire 109
Plan-les-Ouates, P.O. Box 2650
1211 Geneva 2
Telephone: +41 (0) 22 884 0505
Facsimile: +41 (0) 22 884 0504

UNITED STATES

1301 Wilson Drive
West Chester, PA 19380
Telephone: 1 610 430 2700
Facsimile: 1 610 430 2694
Customer Service: 1 800 345 8215
Technical Support: 1 800 345 8172

MEI CASHFLOW® is a registered trademark of MEI Inc. Information is subject to change without notice. MEI has made every effort to ensure that the information in this document is accurate. However, we cannot be held responsible for any errors or omissions.



www.meigroup.com