



Field Bulletin

- GROUNDING
- SC66/83 XX X

Bulletin #: FG31006

Date: July 31, 2006

Subject: Review of SC/SCL Grounding and Installation Considerations

Units Affected: SC66/83 XX X

Summary:

The purpose of this document is to clarify the process and importance of providing earth ground to the MEI SC Series bill acceptor. Please review the Customer Interface Manual for additional bill acceptor mounting details.

Details:

GROUNDING

Recent field failures have been attributed to improper grounding of units within OEM enclosures. Symptoms of improper earth grounding include recurring “lock up” conditions, where all 3 Diagnostic LED's on the front of the acceptor remain lit. This symptom clears upon cycling power to the unit. The issue may also present itself as an intermittent communications failure.

The bill acceptor's path to earth ground is provided for on the lower right and left side mounting holes (see diagram). It is necessary to connect earth ground to this mounting point. Painted, or otherwise coated enclosures will require the removal of the paint or coating in this mounting area to achieve an earth ground connection.

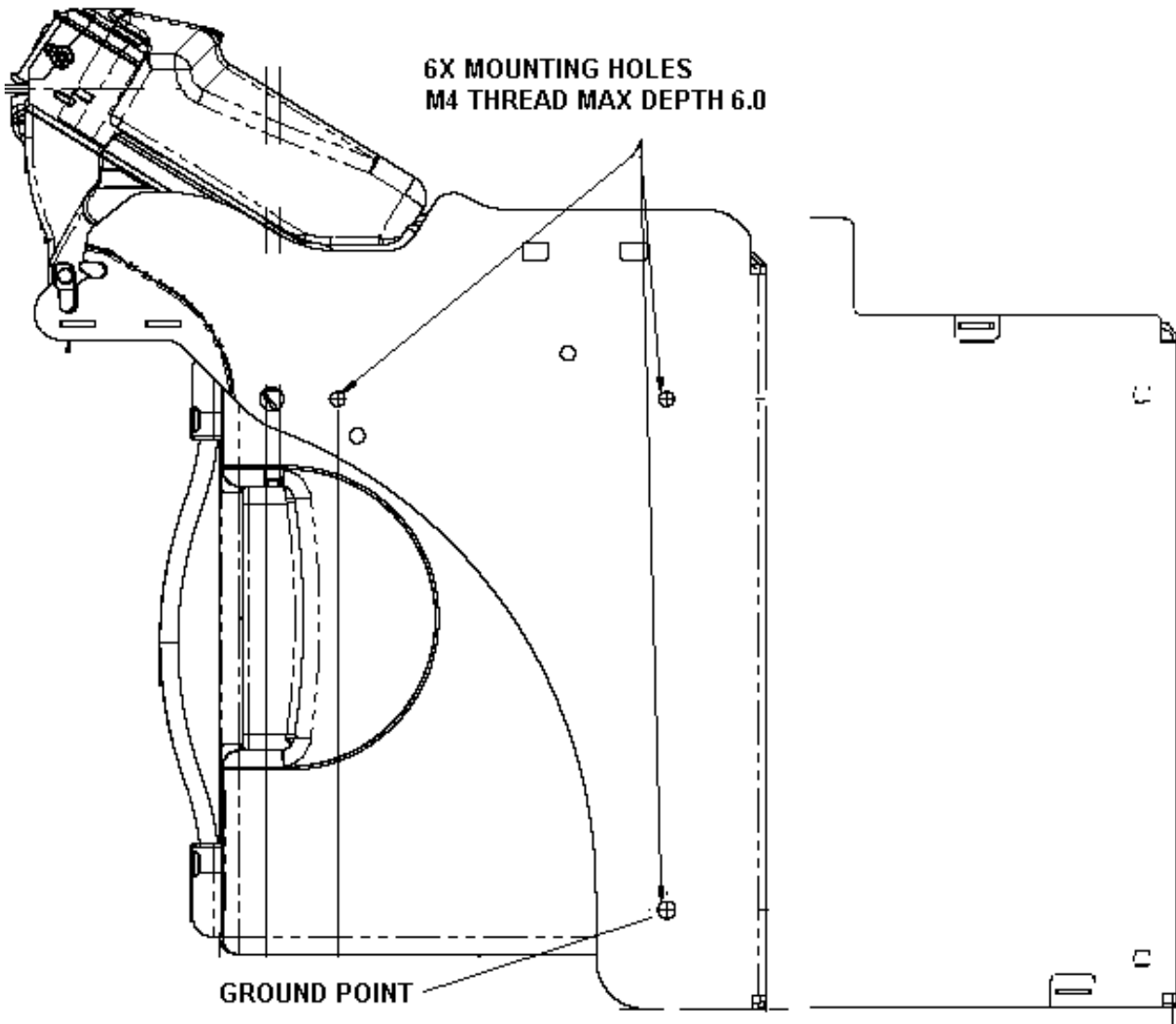
MOUNTING

The SC offers a total of 12 mounting holes. In general use of 3 mounting holes, including at least two separate planes, will be sufficient to mount the unit. The SCL also offers a total of 12 mounting holes. In general use of 4 mounting holes, including a minimum of three separate planes, one of which is the bottom will be sufficient to mount the unit.

Process:

If you are experiencing unexplained lock-ups or communication failures, please review your installation to ensure proper earth ground is being provided to the chassis. A quick measurement can be made with an ohm meter from the ground pin of the system AC power cord to either the left or right most contact on the interface board connector. The nominal measurement is 1 ohm or less.

Questions should be directed to MEI Technical Support at 1-800-345-8172



Reference:
PN: 252055088 G2 SC66 Maintenance & OPs Guide
PN: 002850103_G5 Cashflow SC Series Customer Interface Manual

Questions should be directed to MEI Technical Support at 1-800-345-8172