



# Cashflow SCXX04/XX07

## SPARE PARTS GUIDE (Level 1)



©Mars Inc. 2004 Printed in USA.

MEI is a trademark of Mars, Inc. Information is subject to change without notice. MEI has made every effort to ensure that the information in this document is accurate. However, we cannot be held responsible for any errors or omissions.

Version: November 2005

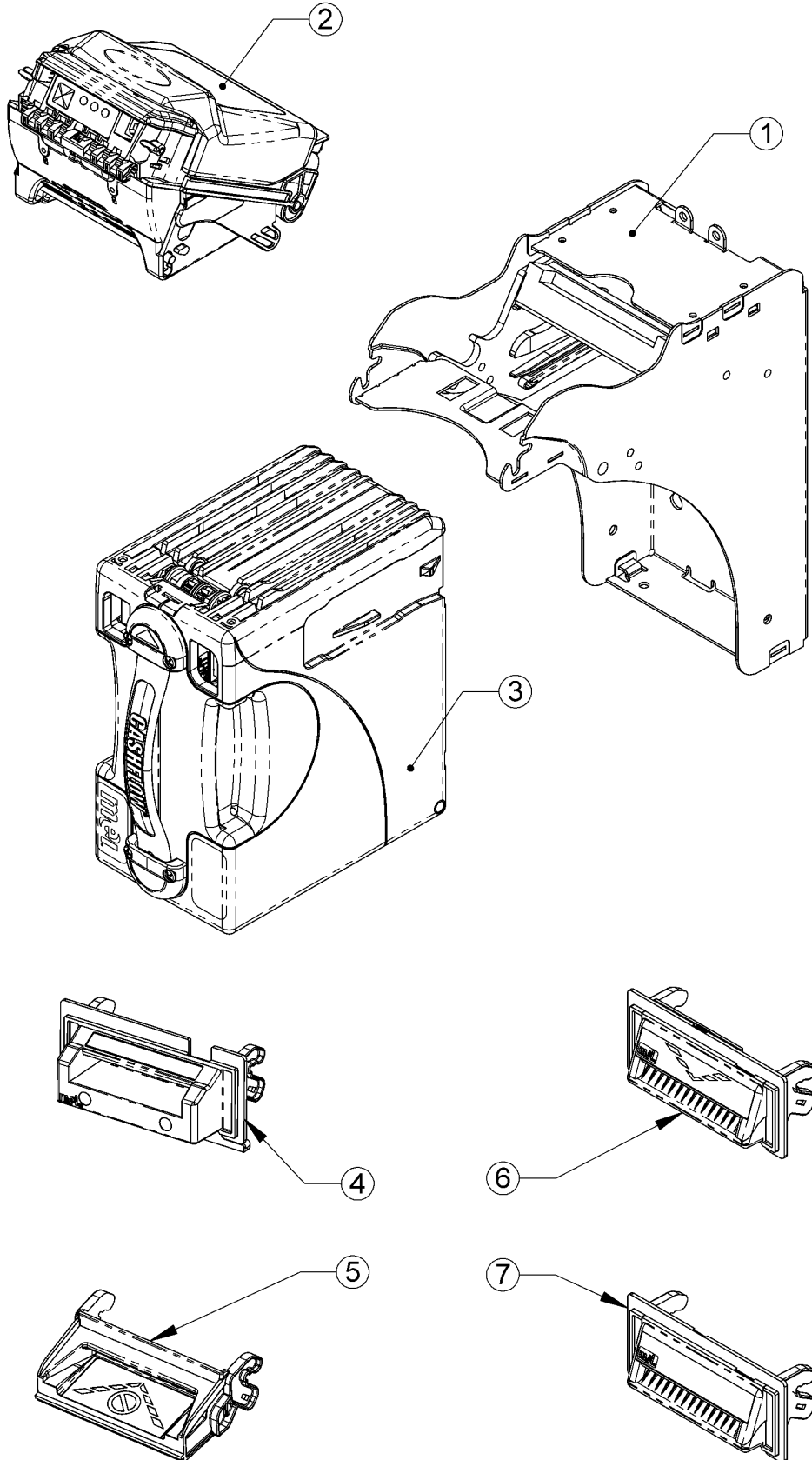
## TABLE OF CONTENTS

Main Components.....	Page 3, 4
Acceptor Assembly.....	Page 5, 6
Top of Acceptor Assembly....	Page 7, 8
Lower Acceptor Assembly.....	Page 9, 10
Cashbox Assembly.....	Page 11, 12
Chassis Assembly.....	Page 13, 14
EBDS Specific Control board & Connector .....	Page 15, 16

## Main Components

Ref Num	Description	Part Number
1	Chassis SCL Chassis	252018094P1 252215001P1
2	Acceptor Module SC66 GEN.2 SC83	252014091P1 252011001P1
3	Cashbox (Bulk 12) SCL Cash Box (Bulk 1)	50043690P12 252219009
4	Universal Bill Entry Guide, Black SC66 (Bulk 24) SC83 (Bulk 24)	252067014 252065015
5	Platform Bill Entry Guide SC66 (Bulk 24) SC83 (Bulk 24)	252063016 252060065
6	Lit Coin Resistant Bill Entry Guide SC66 (Bulk 24)	252065054
7	Coin Resistant Bill Entry Guide SC66 (Bulk 24) SC83 (Pak 1)	252063055 252065059P1

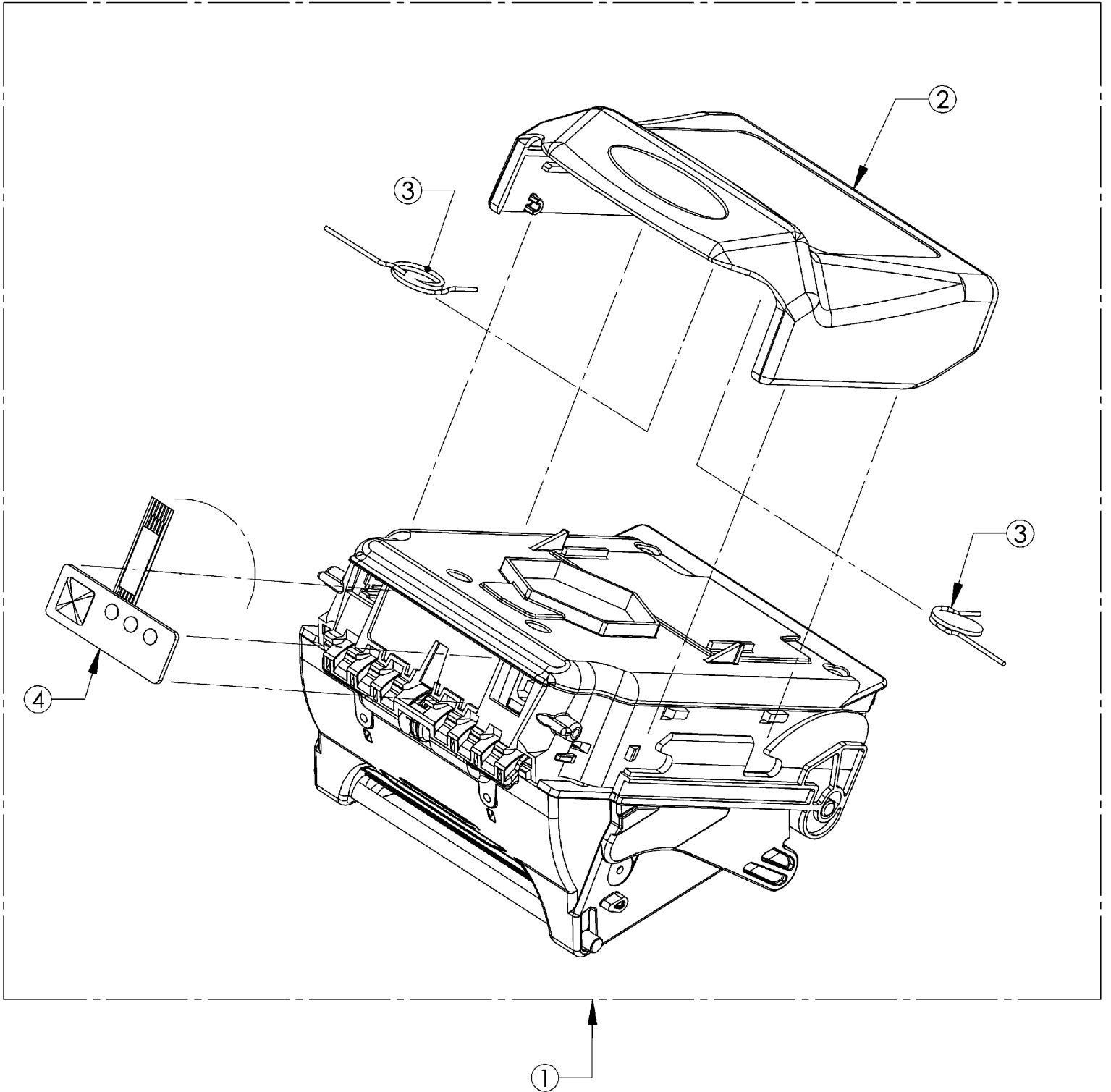
# Main Components



## Acceptor Assembly

<b>Ref Num</b>	<b>Description</b>	<b>Part Number</b>
1	Acceptor Module Gen.2	See Pg. 3
	Yellow Latch Cover Assembly (pak10) <ul style="list-style-type: none"><li>• Yellow Latch Cover</li><li>• Springs</li><li>• Label</li></ul>	252011040P
2	Yellow Latch Cover- No label or springs (bulk 10)	252020101P
3	Springs, Acceptor Latch (bulk 100)	252043035P
4	MMI Switch (bulk 5)	252086004P
N/S	Label, latch cover (bulk 50)	252054014P
N/S	CF SC PROM, Blank, (Bulk 32)	252060060P

# Acceptor Assembly

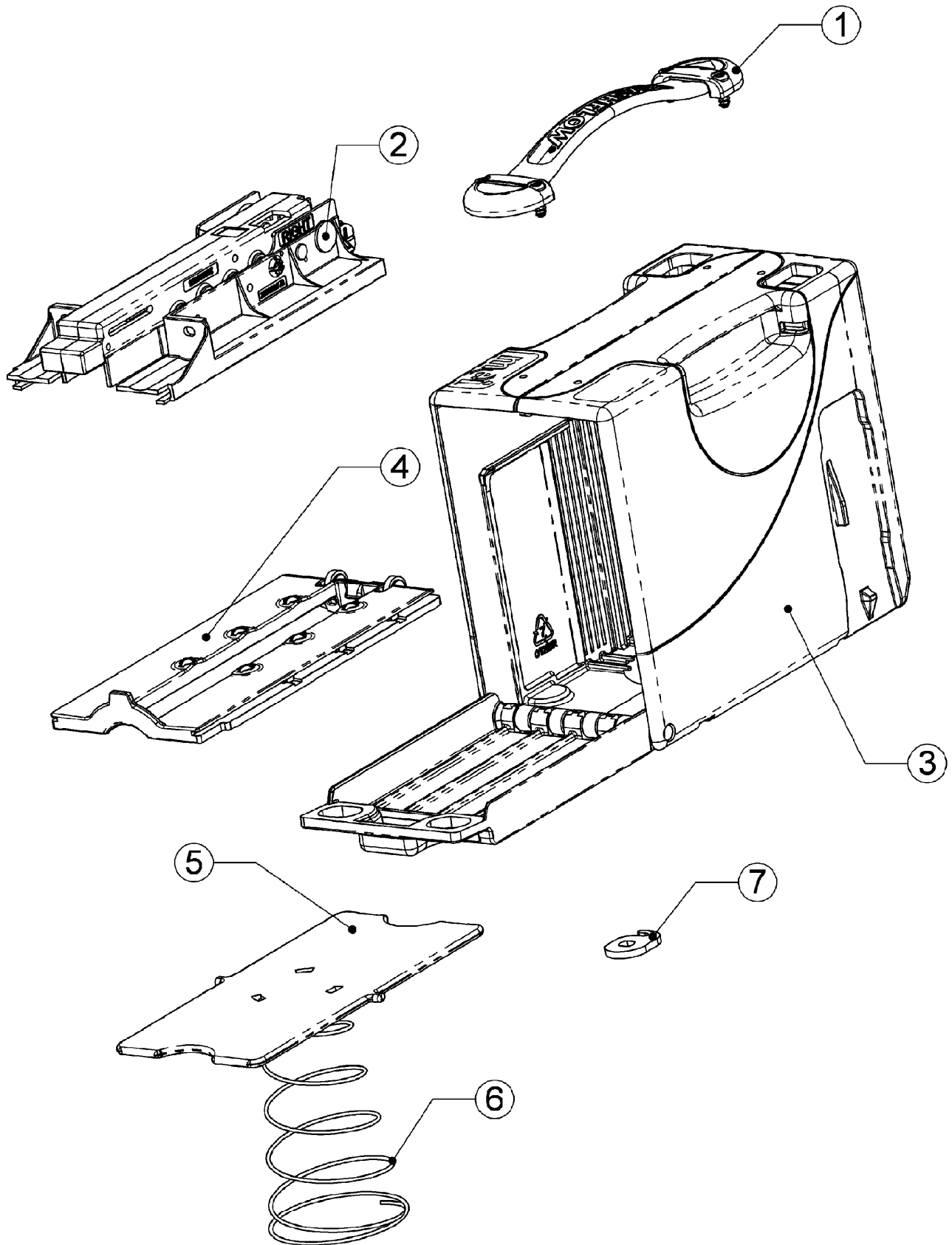


## Cashbox Assembly

<b>Ref Num</b>	<b>Description</b>	<b>Part Number</b>
1	Cashbox Handle Kit (bulk 1)	252062003P
2	Stacker Base Assy (bulk 1)	252063077
3	Side & Door Assembly of Cashbox (bulk 1)	252015004P
4	Aperture Plate Assembly (bulk 5)	252011006P
5	Pressure Plate (pak 20)	252021038P
6	Conical Spring (pak 15)	252035063P
7	Hasp (pak 50)	252035002P
NS	Stacker Pusher Plate	252020042
NS	Stacker Base Assy. Nip Roller (bulk 50)	252029039

NS = Not shown

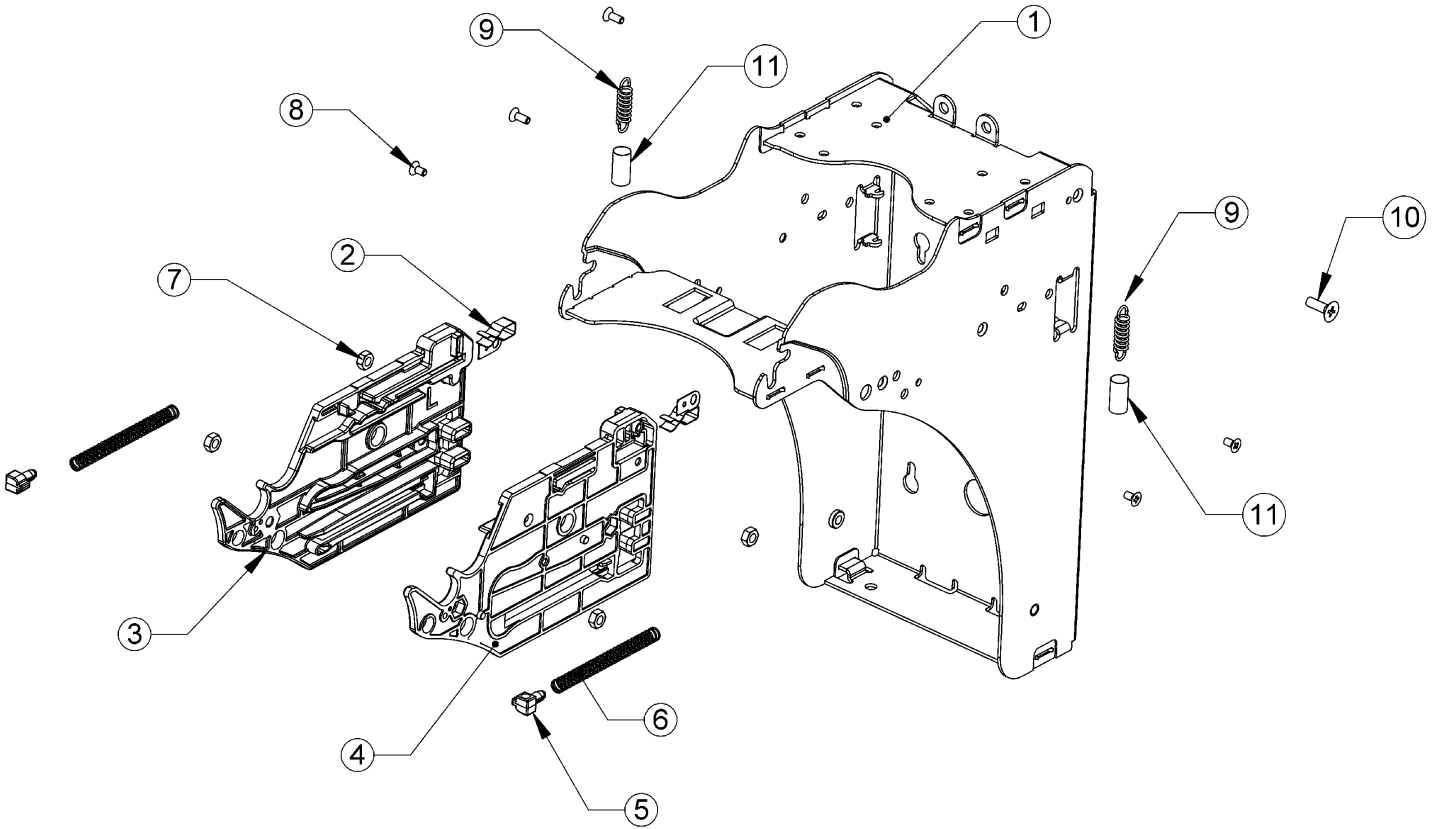
# Cashbox Assembly



## Chassis Assembly

Ref Num	Description	Part Number
1	Assy, Chassis (bulk 1) SCL Chassis	252018094P1 252215001P1
2	Clip, Earthing Left (bulk 100)	252031065
3	Rail Left (bulk 25)	252023250P
4	Rail, Right (bulk 25)	252028249P
5	Guide, Spring (bulk 100)	252021099P
6	Spring, Cassette Reject (bulk 100)	252045012P
7	Hex Nut, Style1, M4X0.7 (bulk 100)	252041019P
8	Screw, 4-20X6L, FH, Pozi (bulk100)	252046020P
9	Spring, Chassis Ext (bulk 100)	252040040P
10	Screw, 4-20X13L, FH, Pozi (bulk 100)	252043030P
11*	Sleeve, Cassette Latch (bulk 50)	252024268P

# Chassis Assembly



## EBDS Specific Interface Board & Connector

Ref Num	Description	Part Number
1	EBDS Specific Interface Board Gen.1 EBDS Specific Interface Board Gen.2 • Switch, Cassette Present (Bulk 50)	252018055P 252026090P1 214791027P
2	SCXX04 Main Harness SCXX04 Main Harness w/ Ext. Inhibit	252077024 252067075
2	SCXX07 Main Harness SCXX07 Main Harness w/ Ext. Inhibit	252078037 252065076
N/S	• External Inhibit Pigtail (bulk 1)	252065071
3	Mounting Plate, edge card connector (bulk 25)	252030030P
4	Screws (bulk100)	252041031P
5	Screws, control board (bulk 100)	252041036P

## EBDS Specific Interface Board & Connector

