

# SERIES 2000 SOFTWARE EPROM LOCATION

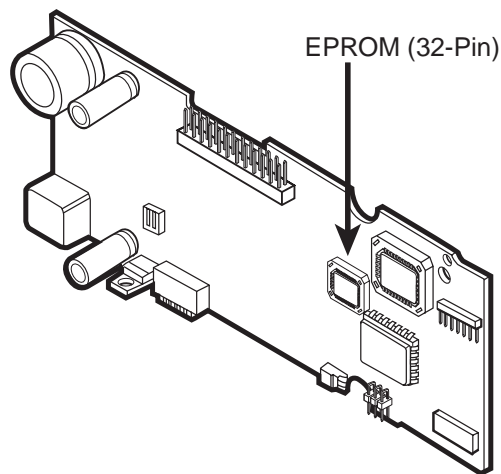
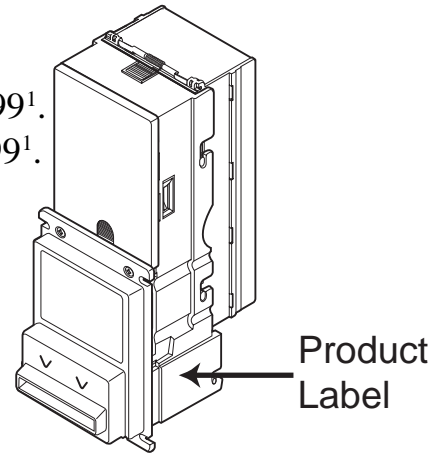
Identify the type of the Series 2000 Bill Acceptor by checking the product label.

## Series 2000 with MEI FlashPort:

- All AE2600
- VN2500 manufactured during or after the 40th week of 1999<sup>1</sup>.
- AE2400 manufactured during or after the 40th week of 1999<sup>1</sup>.

<sup>1</sup>**NOTE:** The first two digits of the serial number represent the week the unit was manufactured (1-52). The third digit represents the year the unit was manufactured.

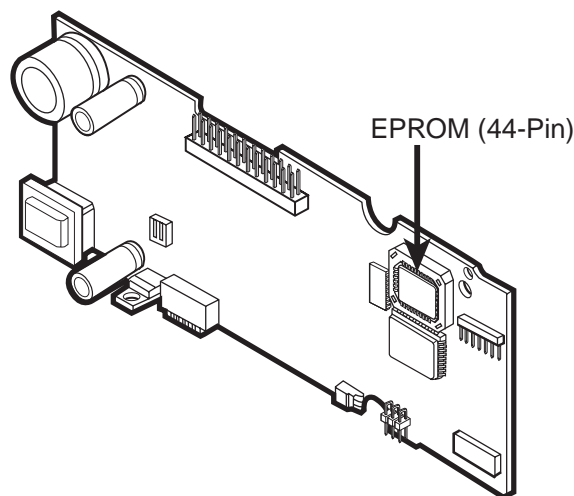
S/N 499XXXXXXXXX - unit manufactured the 49th of 1999



Series 2000 with MEI FlashPort

## Series 2000 (Original Platform):

- VN2500 manufactured prior to the 40<sup>th</sup> week of 1999<sup>1</sup>.
- AE2400 manufactured prior to the 40<sup>th</sup> week of 1999<sup>1</sup>.



Series 2000 (Original Platform)